

Modem or LAN Setup Procedures

Before your i2i System can be setup for remote operation, your modem or local area network (LAN) must be properly configured. You must have an external static IP address assigned to the i2i Systems DVR and have certain ports open and forwarded. If you are unsure how to properly setup your modem or LAN, please contact your Internet Service Provider (ISP) or your company's network administrator prior to the installation date. iTech Digital can provide limited assistance with this procedure if needed. Port numbers can be changed if your network is already using the standards ports. This information will help iTech Digital to minimize potential network conflicts and ensure proper i2i Remote Operation.

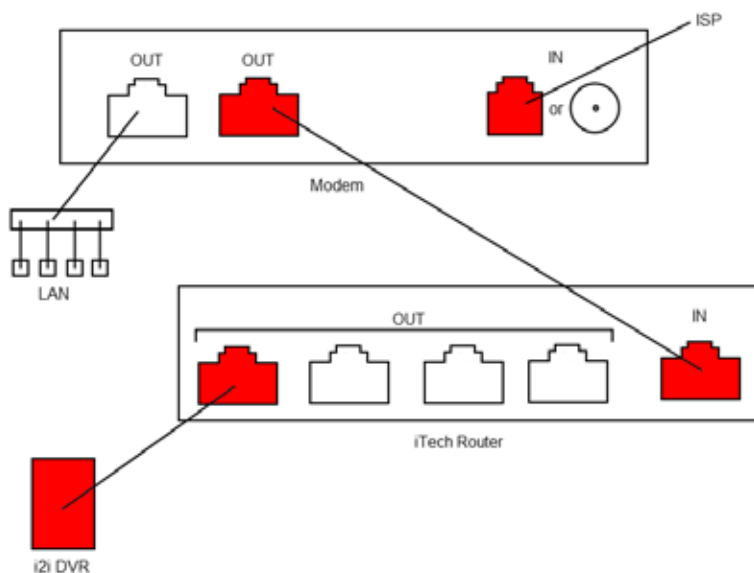
Port Forwarding

The following ports will need to be forwarded to DVR IP address listed above. This will allow all of the features of your i2i Systems DVR to be accessible remotely. If you have questions or concerns about specific ports please contact iTech Digital Technical Support at **866-733-6673**.

37	to	37	TCP & UDP
7120	to	7134	TCP & UDP
8128	to	8130	TCP & UDP
8149	to	8149	TCP & UDP

Typical Setup

The following is a diagram of a typical network setup with a i2i Systems DVR. Notice there are additional open OUT ports on the iTech Digital Router. These can be used for additional IP peripherals that do not require a specific static IP, including personal computers with internet access.



DVR IP Settings

Please complete this page and fax to (317)704-0450. Save a copy for your records.

Company Name _____
National Store Number _____
Phone Number _____

Hardware

Please provide a brief description of the components of your network, including manufacturer and model number. Pay special attention to the device into which the i2i Systems DVR will need to connect.

External IP Address

Obtain your static external IP address and record it here. If you have a package of IP addresses, please write the one you intend to use for your i2i Systems DVR.

External IP: _____ . _____ . _____ . _____ (ex. 76.215.38.99)

DVR IP Address and Settings

Obtain the following information. These are the numbers you would manually enter to add a computer to your modem or local network. These IP addresses must be unique to your i2i System.

IP: _____ . _____ . _____ . _____ (ex. 192.168.1.100)
Subnet Mask: _____ . _____ . _____ . _____ (ex. 255.255.255.0)
Default Gateway: _____ . _____ . _____ . _____ (ex. 192.168.1.1)
Primary DNS: _____ . _____ . _____ . _____ (ex. 64.5.38.99)
Secondary DNS: _____ . _____ . _____ . _____ (ex. 64.5.38.101)

Additional Devices

Please provide the name and IP address of any other device(s) attached to the network. This will help prevent any possible conflicts.

Name: _____ IP: _____ . _____ . _____ . _____ (ex. 192.168.1.110)
Name: _____ IP: _____ . _____ . _____ . _____ (ex. 192.168.1.111)
Name: _____ IP: _____ . _____ . _____ . _____ (ex. 192.168.1.112)

Testing Operation

Using an Ethernet cable, connect a working computer (laptop or desktop) to the port designated for the i2i Systems DVR. Windows XP testing directions are as follows.

1. Click *Start*



2. Select *Control Panel*



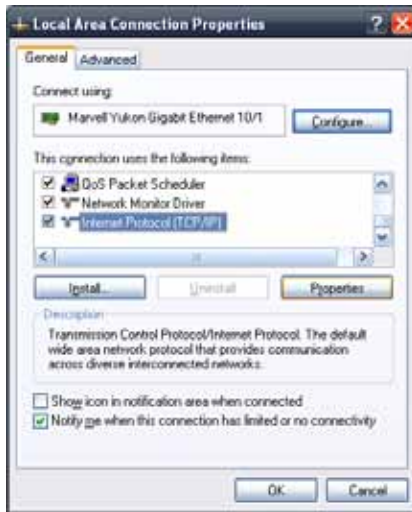
3. Click on the *Network Connections* icon



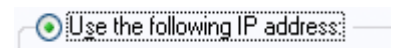
4. Right Click on the Local Area Connection icon and select *Properties*



5. Click to highlight Internet Protocol in the list, then click the *Properties* button



6. Select *Use the Following IP Address*



7. Enter the *Static DVR IP Addresses and DNS Addresses* from page three

8. Click *OK* and close all remaining windows

9. Open *Internet Explorer* or other Internet browser via the start menu or desktop icon and check to make sure you can access websites on the Internet

10. If you can connect to the Internet, save this packet and have it ready to provide to the technicians during installation. If you cannot connect, confirm that you have entered the correct numbers and/or check with your IP provider or network administrator to obtain proper numbers.

Note: An iTech Digital technician can provide you with instructions and assistance with testing using Windows Vista or Windows 7.

iTech Digital Copyright 2008—All rights reserved